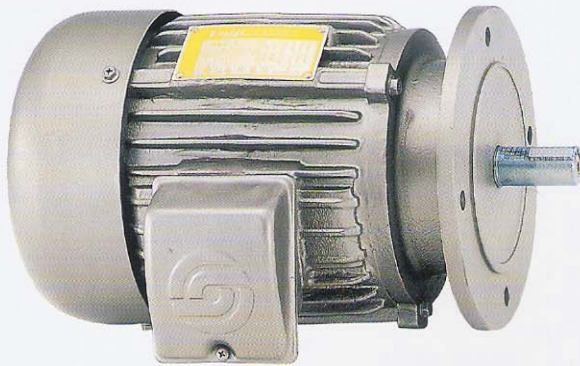


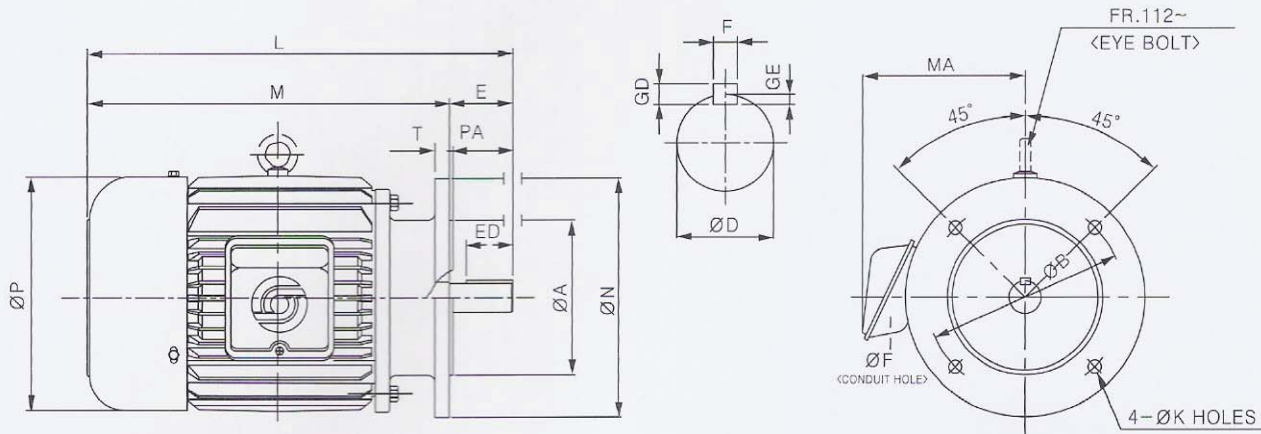
THREE PHASE TEFC FLANGE TYPE INDUCTION MOTOR



SPECIFICATION

| | |
|------------|------------------------|
| TYPE | TTV |
| PHASE | 3φ |
| OUT PUT | 0.2KW~37KW |
| VOLTAGE | 220/380,380 [220/440]V |
| CYCLE | 50HZ, 60HZ |
| POLES | 2P, 4P, 6P |
| INS. CLASS | B, [F] |

[F] class motor is order made.

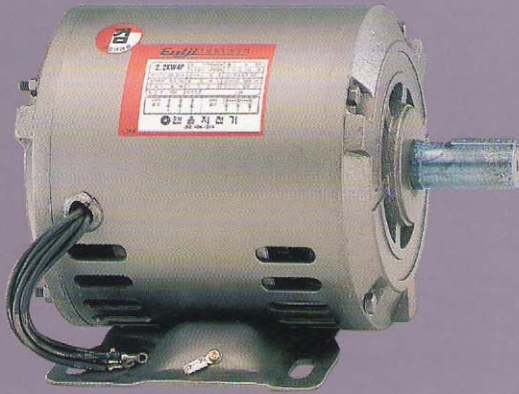


OUTLINE DIMENSIONS (KSC 4202)

(UNIT : mm)

| NO | FRAME NO. | OUT PUT(Kw) | | | | DRIVE END(P.L) | | | | | | ØA | ØN | ØB | ØP | MA | L | M | T | PA | ØK | ØF | BEARING | | W.T (kg) |
|----|-----------|-------------|------|------|------|------------------|----|----|-----|-----|----|-----|-----|-----|-----|-----|-----|-----|----|----|----|----|---------|--------|----------|
| | | 2P | 4P | 6P | 8P | ØD | F | GD | GE | E | ED | | | | | | | | | | | | PL | OPL | |
| 1 | 71 | 0.4 | 0.4 | | | 14 _{J6} | 5 | 5 | 3 | 30 | 16 | 110 | 160 | 130 | 156 | 138 | 264 | 234 | 10 | 3 | 10 | 22 | 6203zz | 6202zz | 13.8 |
| 2 | 80 | 0.75 | 0.75 | 0.4 | 0.2 | 19 _{J6} | 6 | 6 | 3.5 | 40 | 22 | 130 | 200 | 165 | 166 | 145 | 289 | 249 | 10 | 3 | 12 | 22 | 6204zz | 6203zz | 18.5 |
| 3 | 90L | 1.5 | 1.5 | 0.75 | 0.4 | 24 _{J6} | 8 | 7 | 4 | 50 | 28 | 130 | 200 | 165 | 191 | 160 | 356 | 306 | 12 | 3 | 12 | 21 | 6205zz | 6204zz | 20.7 |
| | | 2.2 | | | | | | | | | | | | | | | | | | | | | | | |
| 4 | 100L | | 2.2 | 1.5 | | 28 _{J6} | 8 | 7 | 4 | 60 | 40 | 180 | 250 | 215 | 191 | 160 | 400 | 340 | 14 | 4 | 15 | 21 | 6206zz | 6205zz | 30 |
| 5 | 112S | 2.2 | 2.2 | 1.5 | 0.75 | 28 _{J6} | 8 | 7 | 4 | 60 | 40 | 180 | 250 | 215 | 237 | 182 | 380 | 320 | 17 | 4 | 15 | 21 | 6206zz | 6205zz | 38.5 |
| 6 | 112M | 3.7 | 3.7 | 2.2 | 1.5 | | | | | | | | | | | | 406 | 346 | | | | | | | 45.5 |
| 7 | 132S | 5.5 | 5.5 | 3.7 | 2.2 | 38 _{K6} | 10 | 8 | 5 | 80 | 56 | 230 | 300 | 265 | 269 | 198 | 467 | 387 | 17 | 4 | 15 | 35 | 6308zz | 6306zz | 71.5 |
| 8 | 132M | 7.5 | 7.5 | 5.5 | 3.7 | | | | | | | | | | | | 504 | 424 | | | | | | | 83.5 |
| 9 | 160M | | 11 | 7.5 | 5.5 | 42 _{K6} | 12 | 8 | 5 | 110 | 70 | 250 | 350 | 300 | 308 | 245 | 596 | 486 | 20 | 4 | 19 | 35 | 6309zz | 6308zz | 116 |
| 10 | 160L | | 15 | 11 | 7.5 | | | | | | | | | | | | 640 | 530 | | | | | | | 140 |
| 11 | 180M | 18.5 | | | | 48 _{K6} | 14 | 8 | 5.5 | 110 | 70 | 300 | 400 | 350 | 378 | 290 | 653 | 543 | 20 | 5 | 19 | 35 | 6311zz | 6310zz | |
| | | 22 | 15 | | | | | | | | | | | | | | | | | | | | | | |
| 12 | 180L | | | 18.5 | | 55 _{M6} | 16 | 10 | 6 | 110 | 70 | 300 | 400 | 350 | 378 | 290 | 688 | 578 | 20 | 5 | 19 | 35 | 6312zz | 6310zz | |
| | | 30 | 22 | | | | | | | | | | | | | | | | | | | | | | |
| 13 | 200L | | | 30 | | 60 _{M6} | 18 | 11 | 7 | 140 | 80 | 350 | 450 | 400 | 410 | 330 | 825 | 685 | 22 | 5 | 19 | 35 | 6313zz | 6311zz | |
| | | 37 | 37 | | | | | | | | | | | | | | | | | | | | | | |

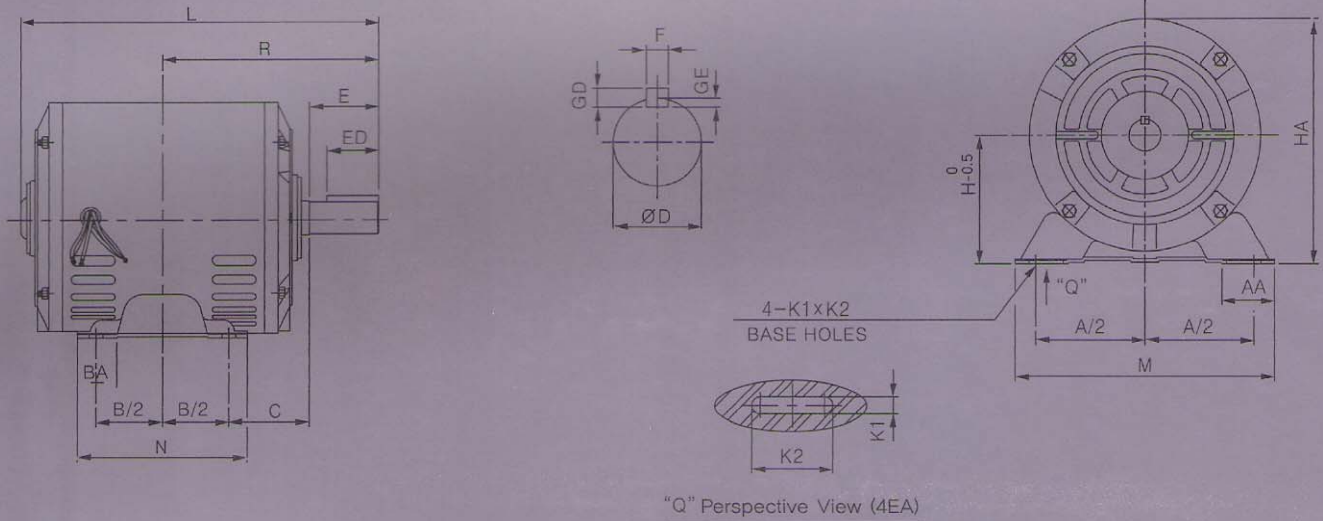
THREE PHASE DRIP PROOF INDUCTION MOTOR



SPECIFICATION

| | |
|------------|---------------------|
| TYPE | TSH |
| PHASE | 3 ϕ |
| OUT PUT | 0.2KW~3.7KW |
| VOLTAGE | 220/380, [220/440]V |
| CYCLE | 50HZ, 60HZ |
| POLES | 2P, 4P, 6P |
| INS. CLASS | B, [F] |

[F] class motor is order made.



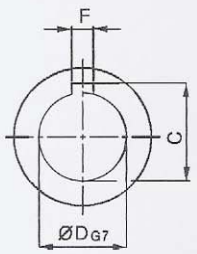
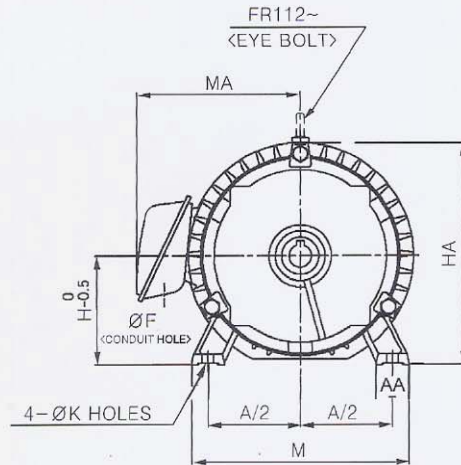
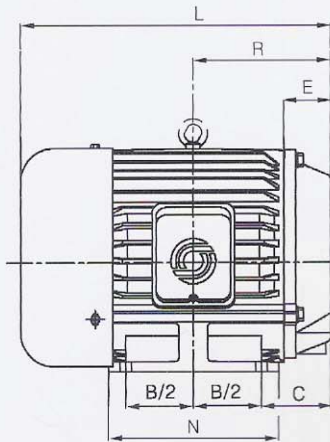
OUTLINE DIMENSIONS

(UNIT : mm)

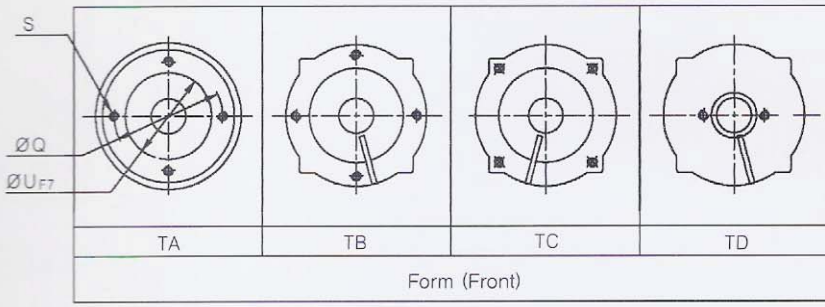
| NO | FRAME NO. | OUT PUT(kw) | DRIVE END(P.L) | | | | | | | H | A/2 | B/2 | C | K1 | K2 | AA | BA | M | N | L | R | HA | BEARING | | W.T (kg) |
|----|-----------|-------------|------------------|----|---|-----|----|----|-----|------|------|-----|----|----|----|----|-----|-----|-----|-------|-------|--------|---------|------|----------|
| | | | 4P | ØD | F | GD | GE | ED | E | | | | | | | | | | | | | | PL | OPL | |
| 1 | 71 | 0.4 | 14 _{n6} | 5 | 5 | 3 | 16 | 30 | 71 | 56 | 45 | 45 | 7 | 20 | 23 | 22 | 137 | 115 | 215 | 120 | 137.3 | 6202zz | 6202zz | 9 | |
| 2 | 80 | 0.75 | 19 _{n6} | 6 | 6 | 3.5 | 22 | 40 | 80 | 62.5 | 50 | 50 | 10 | 30 | 30 | 28 | 168 | 124 | 285 | 140 | 152 | 6204zz | 6203zz | 13 | |
| 3 | 90L | 1.5 | 24 _{n6} | 7 | 7 | 4 | 28 | 50 | 90 | 70 | 62.5 | 56 | 10 | 30 | 50 | 49 | 190 | 155 | 314 | 168.5 | 172 | 6205zz | 6204zz | 28.6 | |
| 4 | 112S | 2.2 | 28 _{n6} | 8 | 7 | 4 | 40 | 60 | 112 | 95 | 70 | 70 | 12 | 36 | 62 | 60 | 250 | 176 | 305 | 200 | 218 | 6206zz | 6205zz | 36.8 | |
| | 112M | 3.7 | | | | | | | | | | | | | | | | | | | | | | | 335 |

1. Dimensions and specifications can be changed for improvement of the products.
2. F class motor is order made.

THREE PHASE HYDRAULIC PUMP INDUCTION MOTOR



Axis of detail drawing



Form (Front)

Construct detail drawing

OUTLINE DIMENSIONS

(UNIT:mm)

| NO | FRAME NO. | Kw 4P | DRIVE END(P.L) | | | H | A/2 | B/2 | C | øK | AA | N | L | R | HA | MA | øF | øU | S | E | øQ | FORM | BEARING | | | | |
|----|-----------|----------|----------------|--------|-------|-----|-----|------|----|----|----|-----|-----|-------|-------|-----|-----|-------|-------|----|-------|------|---------|--------|-------|--|--|
| | | | øD | P | F | | | | | | | | | | | | | | | | | | PL | OPL | | | |
| 1 | 90L | 1.5 | 19.5 | 21.5 | 4.785 | 90 | 70 | 62.5 | 56 | 10 | 37 | 157 | 259 | 118.5 | 190 | 160 | | | 4-M10 | 39 | 127.1 | TC | | | | | |
| | | | | 17.85 | 4.0 | | | | | | | | | | | | | | | | | | | | | | |
| | | | | 16.00 | | | | | | | | | | | | | | | | | | | | | | | |
| 2 | 100L | 2.2 | 19.05 | 21.5 | 4.785 | 100 | 80 | 70 | 58 | 12 | 30 | 174 | 279 | 128 | 198.5 | 170 | | | 2-M10 | | 127.0 | TC | 6206zz | 6205zz | | | |
| 3 | 112S | 2.2 | 19.05 | 21.5 | 4.785 | | | | 57 | | | 146 | 281 | 114 | | | | | 2-M10 | | 106.4 | | | | | | |
| | | | | 22.225 | 25.5 | | | | | | | | | | | | | | | | | | 6.375 | | | | |
| | | | | | | | | | | | | | | | | | | | | | | | | | | | |
| 4 | 112M | 3.7 | 19.05 | 21.5 | 4.785 | 112 | 95 | | 57 | 12 | 38 | | | | 230 | 182 | | | 4-M14 | 42 | 106.4 | TA | 6207zz | 6205zz | | | |
| | | | | 22.225 | 25.5 | | | | | | | | | | | | | | | | | | | | 6.375 | | |
| | | | | 19.05 | 21.5 | | | | | | | | | | | | | | | | | | | | 4.785 | | |
| 5 | 132S | 5.5 | 22.225 | 25.5 | 6.375 | 132 | 108 | 70 | 72 | 12 | 42 | 182 | 338 | 142 | 270 | 198 | ø35 | 101.6 | | | 146.0 | | 6209zz | 6206zz | | | |